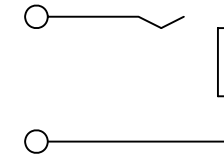
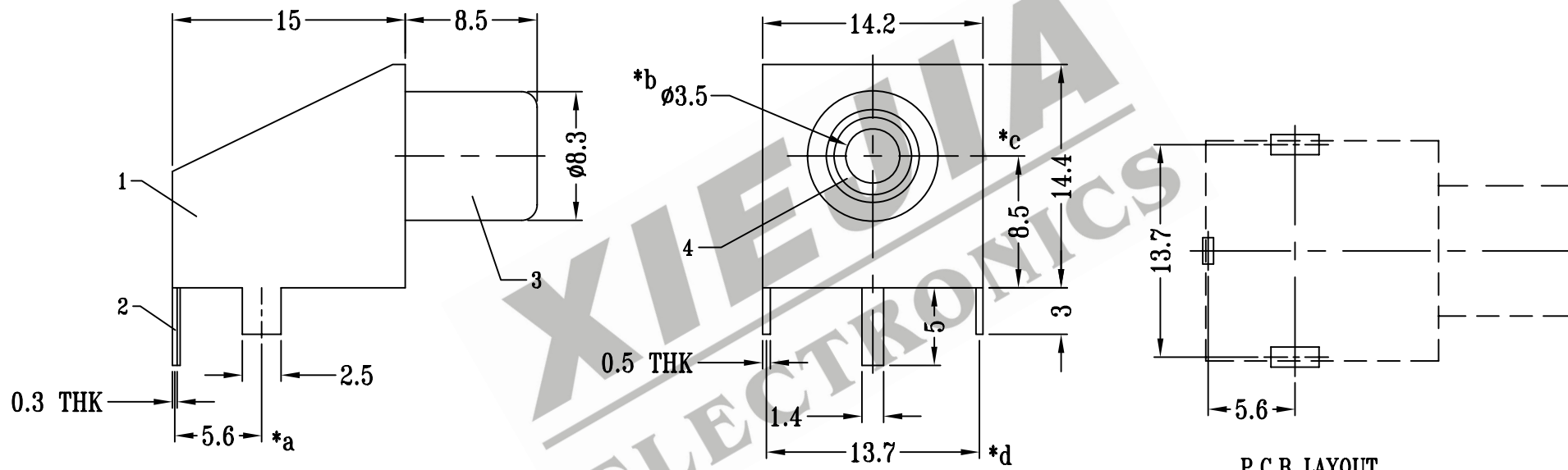


CAD FILE :



SCHEMATIC



P.C.B LAYOUT

注：“*”表示关键尺寸（4个）

8					TOLERANCE UNLESS SPECIFIED	SHENZHEN XIEJIA ELECTRONICS CO.,LTD.				
7										
6					WITHIN: 1.5±0.1mm OVER : 1.5±0.2mm	ISSUE	DATE	DESCRIPTIONS		APPD
5	CASE	ABS	1	BLACK						
4	WASHER	ABS	1	RED	TITLE: RCA JACK	UNIT : M M	DRWG NO : XJ-DR-RC129-00			
3	SLEEVE	BRASS STRIP	1	Cr PLATED						
2	TERMINAL	BRASS STRIP	1	Ag PLATED OVER Ni PLATED	MODEL: RC-129	SCALE : 5:2	DWN.	ZHOUYU	2004-11-5	
1	FRAME	STEEL STRIP	1	Ni PLATED					CHK'D	FANGYING
NO.	PART NAME	MATERIAL	QTY.	FINISHING	ALL MATERIALS MUST BE COMPLIANT TO ROHS			APPD.	KANGXINAN	2004-11-5